



Follow us:



alupress

Unlock the potential of aluminium with precision folding and fabrication from Alupress

Industry leaders of Aluminium Products

Alupress guarantees the fastest possible turnaround on every order

For more information:
shane.doyle@alupress.ie - 087 347 4000 / 01 963 1740



About us

With a wealth of experience in the aluminium fabrication industry, Alupress has earned a reputation for excellence and reliability. Our team of skilled craftsmen, engineers, and designers combines traditional craftsmanship with modern technology to deliver cutting-edge solutions that exceed expectations.

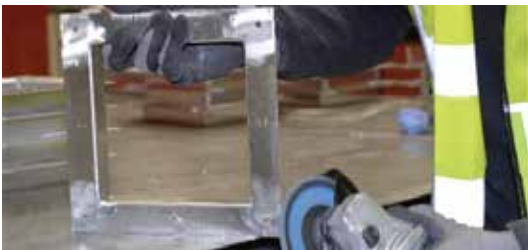
Elevate your projects with precision-crafted aluminium solutions from Alupress. As industry leaders in aluminium fabrication, we specialise in delivering bespoke products and services tailored to meet the unique needs of our clients. From basic flashings to architectural enhancements to industrial components, we are committed to providing quality craftsmanship, innovative design, and superior customer service.

We have two manufacturing facilities based in Dublin, our Ballymount unit dedicated to aluminium window sills and our Cookstown unit focused on the larger commercial orders. We are dedicated to sustainability and environmental responsibility. Our manufacturing processes prioritise energy efficiency, waste reduction, and the use of recyclable materials to minimise our impact on the environment.

Our Services



Precision Bending: From simple bends to complex shapes, our precision bending services can accommodate a wide range of shapes and profiles. Whether you require standard angles or custom profiles, we have the expertise and equipment to meet your needs with accuracy and consistency.



Custom Fabrication: From concept to completion, we offer comprehensive custom fabrication services to meet your specific requirements. Our capabilities include precision cutting, bending, welding, laser cutting and finishing, allowing us to create bespoke aluminium products tailored to your specifications.



Fiber laser cutting: Fiber laser cutting is a versatile and efficient cutting method that offers high precision, speed, and versatility for a wide range of industrial applications. Its ability to produce intricate designs with minimal heat-affected zones makes it an essential technology in modern manufacturing processes.



Aluminium Welding: TIG welding aluminium is a versatile and high-quality welding process that offers precise control, cleanliness, and versatility for a wide range of applications across industries. Its ability to produce strong, durable welds with excellent appearance and performance makes it a preferred choice for welding aluminium and other non-ferrous metals.



Powder Coating: Powder coating is a versatile and environmentally friendly finishing process that offers durability, versatility, and cost-effectiveness for a wide range of metal surfaces and applications. Its ability to produce attractive, long-lasting finishes makes it a preferred choice for manufacturers, designers, and consumers alike.

Why choose us?

Expertise and Experience: With years of experience in the industry, we have the knowledge and skills to handle even the most challenging aluminium projects. Our team is dedicated to delivering superior results that meet your exact requirements.

State-of-the-Art Equipment: We invest in advanced machinery and technology to ensure precise and efficient bending processes. Our equipment enables us to achieve tight tolerances, smooth finishes, and consistent results across all our projects.

Customisation Options: We understand that every project is unique. That's why we offer flexible customisation options to accommodate your specific needs and preferences. Whether you need custom shapes, sizes, or finishes, we can tailor our services to suit your requirements.

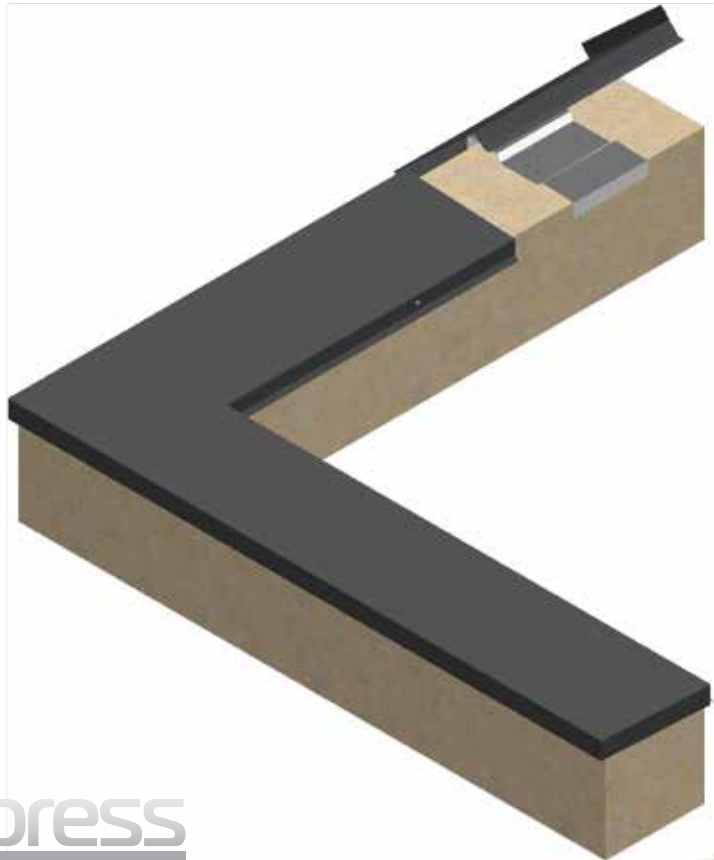
Customer Satisfaction: At Alupress customer satisfaction is our top priority. We are committed to providing exceptional service, transparent communication, and timely delivery to ensure a positive experience for our customers from start to finish.

Technology: At Alupress, we utilise advanced production management software that allows us to live track every order as it progresses through the various stages on the factory floor. With just a click, you can see the exact status of your order at any given time.

Quality Control: We are committed to delivering products of the highest quality. Our quality control processes ensure that each aluminium component meets our rigorous standards for precision, durability, and aesthetics, giving you confidence in the reliability and performance of our products.

Environmental Responsibility: We are dedicated to sustainability and environmental responsibility. Our manufacturing processes prioritise energy efficiency, waste reduction, and the use of recyclable materials to minimize our impact on the environment.

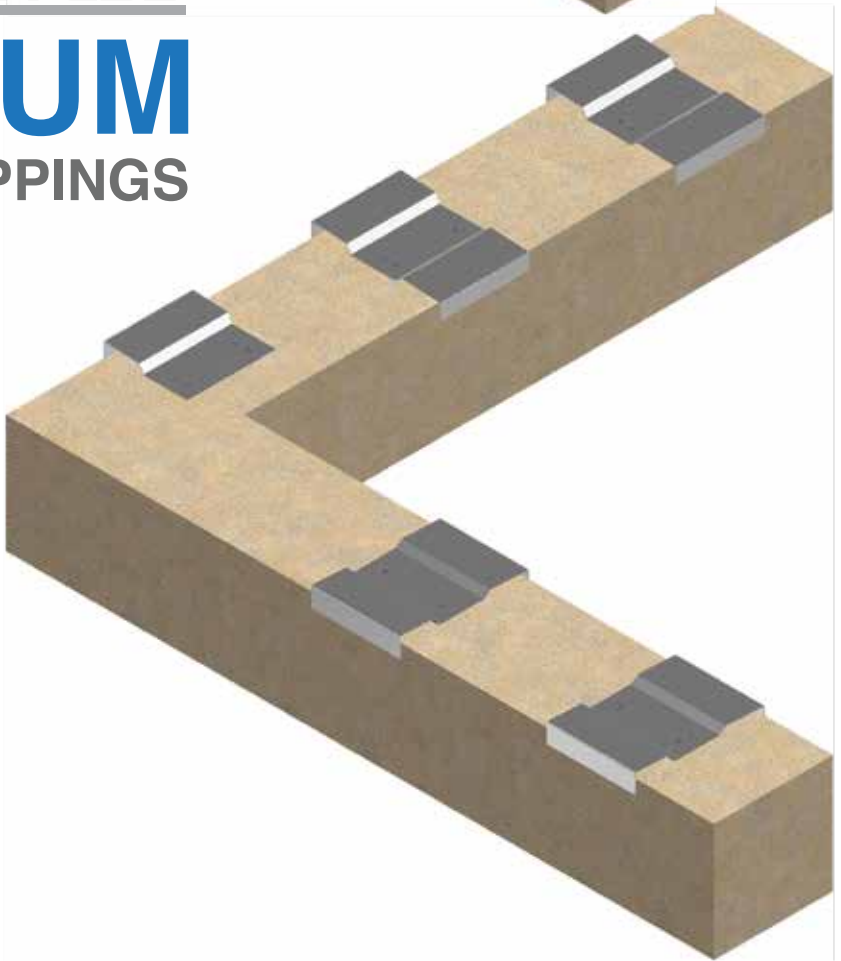




alupress

ALUMINIUM

SECRET FIX CAPPINGS



SECRET FIX CAPPINGS

DATA SHEET

Aluminium secret fix cappings are designed to provide a sleek, continuous finish to parapet and boundary walls while concealing fixings for a clean and modern appearance. These cappings offer excellent weather resistance, durability, and low maintenance, making them ideal for various architectural applications.

Key Features:

Material: High-grade aluminium
Finish Options: Powder coated in various colours
Profiles: Sloped, or custom profiles
Lengths: Customizable up to 4 meters
Thickness Options: 2mm to 3mm
Fixing Method: Concealed (secret fix) system 3mm aluminium brackets or 2mm thick galvanised brackets.

Technical Specifications

Material Composition: Aluminium alloy 1050A
Standard Lengths: customisable lengths up to 4mT
Profile Types
Sloped: Standard widths from 100mm to 400mm with a standard slope
Custom: Tailored to specific architectural requirements
Finish Types: Powder-Coated: RAL colours available
Performance Characteristics:

Performance Characteristics

Durability: High resistance to corrosion.
Maintenance Low maintenance, easy to clean
Weather Resistance: Excellent resistance to UV, rain, and temperature fluctuations
Installation: Concealed fixing system ensures a clean, seamless look with no visible fasteners
Compatibility: Suitable for use with various wall materials, including brick, stone, and rendered surfaces

Applications

Residential buildings: Houses, apartments.
Commercial buildings: Offices, retail stores, and hospitality establishments
Industrial buildings: Warehouses, factories, and workshops
Public buildings: Schools, hospitals, and gov facilities

Customisation Options

Dimensions: Custom widths, lengths, and profiles to match specific project
Colours: Wide range of RAL colours to match building aesthetics
Accessories: Welded corners, welded stop ends, welded upstands.

Installation Guidelines:

1. Prepare the substrate to ensure it is clean, dry, and free from debris.
2. Attach the fixing brackets to the substrate using appropriate fasteners (brackets and fasteners provided). Ensure there is a bracket at all joints.
4. Snap the capping into place over the fixing brackets, secure with a fixing on the inner side through the capping into the fixing bracket.
5. Seal all joint plates with appropriate sealant to ensure a watertight installation.
6. Attach any required end caps or corner pieces.

Maintenance Instructions:

Clean with mild soapy water using a soft cloth/sponge
Avoid abrasive cleaners/tools that may scratch surface
Inspect periodically for any signs of damage or wear and repair as necessary.

This data sheet provides information about our aluminium secret fix cappings, ensuring you have all the details needed for your project. For further assistance or to place an order, please contact our customer service team.

alupress

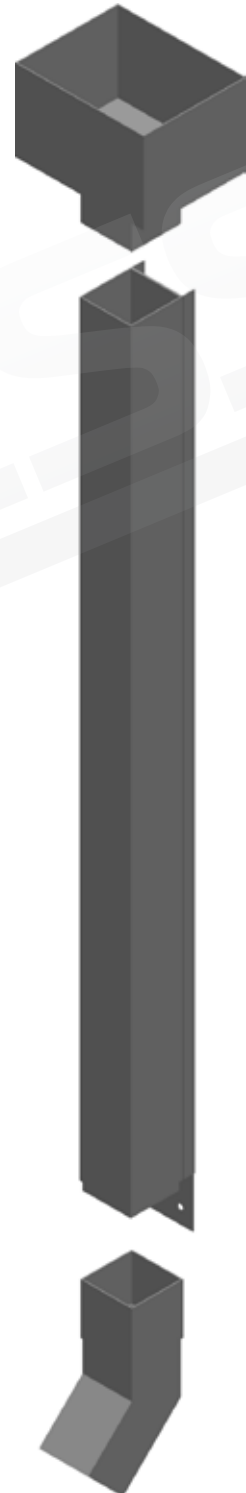
ALUMINIUM

DOWNPIPES

Standard Round

Standard Square

Standard Antivandal



DOWNPIPES

DATA SHEET

Aluminium downpipes are essential components of a building's rainwater management system. They efficiently channel rainwater from the roof to the ground or drainage system, protecting the structure from water damage. Our aluminium downpipes are designed for durability, aesthetic appeal, and easy maintenance, making them suitable for various residential, commercial, and industrial applications

Key Features:

Material: High-grade extruded aluminium
Finish Options: Powder Coated in various colors
Profiles: Round, square, and rectangular profiles
Lengths Customizable up to 4 meters
Thickness Options: 1.5mm to 3mm
Environmental Resistance: Corrosion-resistant, UV-stable, and weatherproof

Technical Specifications:

Material Composition: Aluminium alloy 6063/6061
Standard Lengths: 3m customizable lengths up to 4m
Profile Types
Round - Diameters from 75mm to 150mm
Square - Sizes from 75mm x 75mm to 150mmx150mm
Rectangular - Custom sizes available on request
Finish Types: Plain mill finish
Powder-Coated: RAL colors available

Performance Characteristics

Durability - High resistance to corrosion.
Maintenance - Low maintenance, easy to clean
Weather Resistance: Excellent resistance to UV, rain, and temperature fluctuations
Installation: Easy to install with standard brackets and accessories
Compatibility: Suitable for use with various roofing systems and gutter types

Applications

Residential buildings: Houses, apartments.
Commercial buildings: Offices, retail stores, and hospitality establishments
Industrial buildings: Warehouses, factories etc
Public buildings: Schools, hospitals, and gov facilities
Industrial buildings: Warehouses, factories etc
Public buildings: Schools, hospitals, and gov facilities

Customisation Options

Dimensions: Custom widths, lengths, and profiles to match specific project
Colours: Wide range of RAL colours to match building aesthetics
Accessories: Welded corners, welded stop ends, welded upstands.

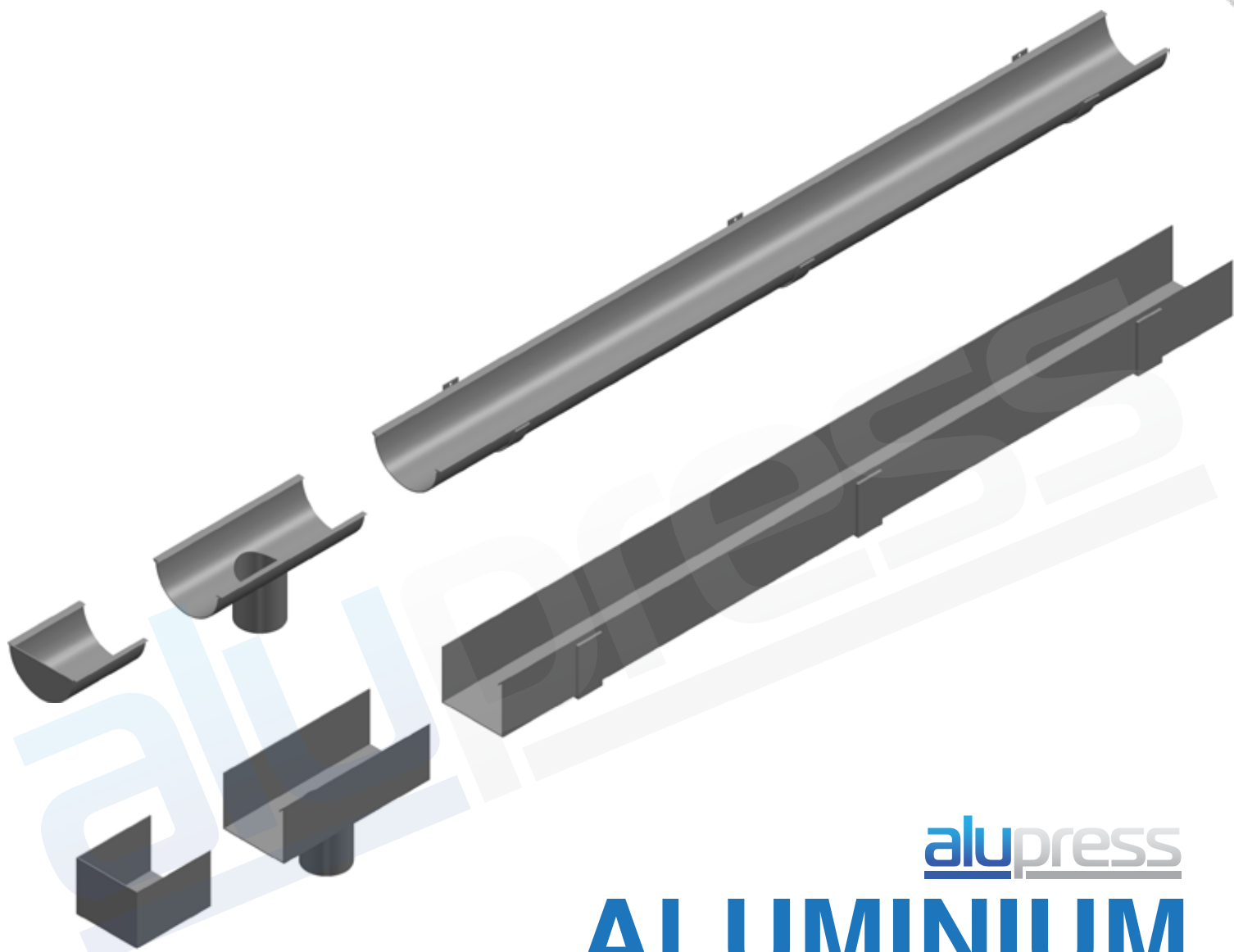
Installation Guidelines:

1. Prepare substrate to ensure its clean, dry, and free from debris.
2. Attach the fixing brackets to the substrate using appropriate fasteners (brackets and fasteners provided). Ensure there is a bracket at all joints.
4. Snap the capping into place over the fixing brackets, secure with a fixing on the inner side through the capping into the fixing bracket.
5. Seal all joint plates with appropriate sealant to ensure a watertight installation.
6. Attach any required end caps or corner pieces.

Maintenance Instructions

Clean with mild soap & water using soft cloth/sponge. Avoid abrasive cleaners/tools that scratch the surface. Inspect periodically for any signs of damage or wear and repair as necessary.

This data sheet provides essential information about our aluminium downpipes, ensuring you have all the details needed for your project. For further assistance or to place an order, please contact our customer service team..



alupress
ALUMINIUM
GUTTERS

DOWNPIPES

DATA SHEET

Aluminium gutters are designed to efficiently collect and direct rainwater away from the building structure, preventing water damage and maintaining the integrity of the building. Durability, low maintenance, and aesthetic appeal, aluminium gutters are ideal for various residential, commercial, and industrial applications.

Key Features:

Material: High-grade extruded aluminium

Finish Options: Powder Coated in various colours

Profiles: Available in 125mm half-round, and box profiles various sizes.

Lengths: Half round 3m lengths, box profiles up to 4000mm.

Thickness Options: 1.5mm to 3mm

Environmental Resistance: Corrosion-resistant, UV-stable, and weatherproof

Technical Specifications:

Material Composition: Aluminium alloy 6063/6061

Standard Lengths: 3m customizable lengths up to 4m

Profile Types

Round - Diameters from 75mm to 150mm

Square - Sizes from 75mm x 75mm to 150mmx150mm

Rectangular - Custom sizes available on request

Finish Types: Plain mill finish

Powder-Coated: RAL colors available

Performance Characteristics

Durability: High resistance to corrosion.

Maintenance: Low maintenance, easy to clean

Weather Resistance: Excellent resistance to UV, rain, and temperature fluctuations

Installation: Easy to install with standard brackets and accessories

Compatibility: Suitable for use with various roofing systems and gutter types

Applications

Residential buildings: Houses, apartments.

Commercial buildings: Offices, retail stores, and hospitality establishments

Industrial buildings: Warehouses, factories, and workshops

Public buildings: Schools, hospitals, and gov facilities

Customisation Options

Dimensions: Custom diameters, lengths, and profiles to match specific project requirements

Colours: Wide range of RAL colours to match building aesthetics

Accessories: Matching brackets, connectors, bends available

Installation Guidelines:

1. Measure and cut the aluminium downpipes to the required length.
2. Attach brackets to the wall at regular intervals (approximately 1 meter apart).
3. Secure the downpipes to the brackets, ensuring they are aligned and properly supported.
4. Connect the downpipes to the gutter system using appropriate connectors and seal joints with weatherproof sealant.
5. Attach any required bends, offsets, or end caps to ensure proper water flow and drainage.
6. Ensure the downpipes are directed to a suitable drainage system or water collection area.

Maintenance Instructions

Clean with mild soapy water using a soft cloth

Avoid abrasive cleaners/tools that may harm surface

Inspect periodically for any signs of blockage, damage, or wear and clear debris as necessary.

This data sheet provides essential information about our aluminium downpipes, ensuring you have all the details needed for your project. For further assistance or to place an order, please contact our customer service team.

alupress
ALUMINIUM
FASCIA & SOFFIT



FASCIA & SOFFIT

DATA SHEET

Aluminium fascia and soffit systems are designed to provide robust, durable, and aesthetically pleasing finishes to roof edges. These systems protect the roof and walls from weather damage while offering ventilation and a polished appearance.

Key Features:

Material: High-grade extruded aluminium
Finish Options: Powder coated in various colours
Profiles: Available in flat, vented, and custom profiles
Lengths: Customisable up to 4 meters
Thickness Options: 1.0mm to 3mm
Environmental Resistance: Corrosion-resistant, UV-stable, and weatherproof

Technical Specifications:

Material Composition: Aluminium alloy 1050A
Standard Lengths: 3m & custom lengths upto 4m
Profile Types
Fascia: Standard widths from 100mm to 400mm
Soffit: Available in solid and vented options, standard widths from 150mm to 300mm
Custom: Tailored to specific architectural requirements
Finish Types: Standard Black RAL 9005 / Anthracite RAL 7016 / White RAL 9010
Powder-Coated: RAL colours available

Performance Characteristics

Durability: High resistance to corrosion.
Maintenance: Low maintenance, easy to clean
Weather Resistance: Excellent resistance to UV, rain, and temperature fluctuations.
Installation: Easy to install with standard tools and accessories
Compatibility: Suitable for use with various roofing systems, including tiled, slate, and metal roofs.

Applications

Residential buildings: Houses, apartments.
Commercial buildings: Offices, retail stores, and hospitality establishments
Industrial buildings: Warehouses, factories, and workshops
Public buildings: Schools, hospitals, and gov facilities

Customisation Options

Dimensions: Custom widths, lengths, and profiles to match specific project requirements
Colours: Wide range of RAL colours to match building aesthetics
Accessories: Matching corner pieces, joiners, and end caps available

Installation Guidelines:

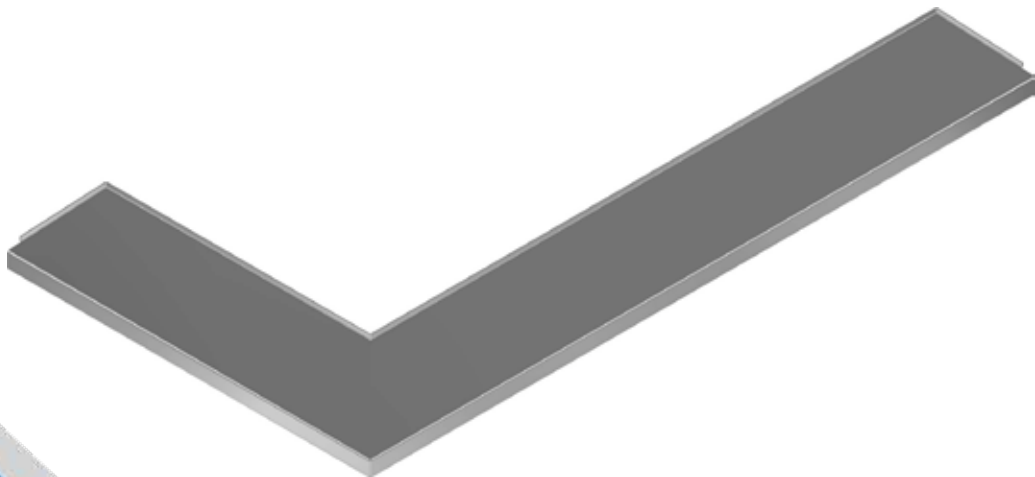
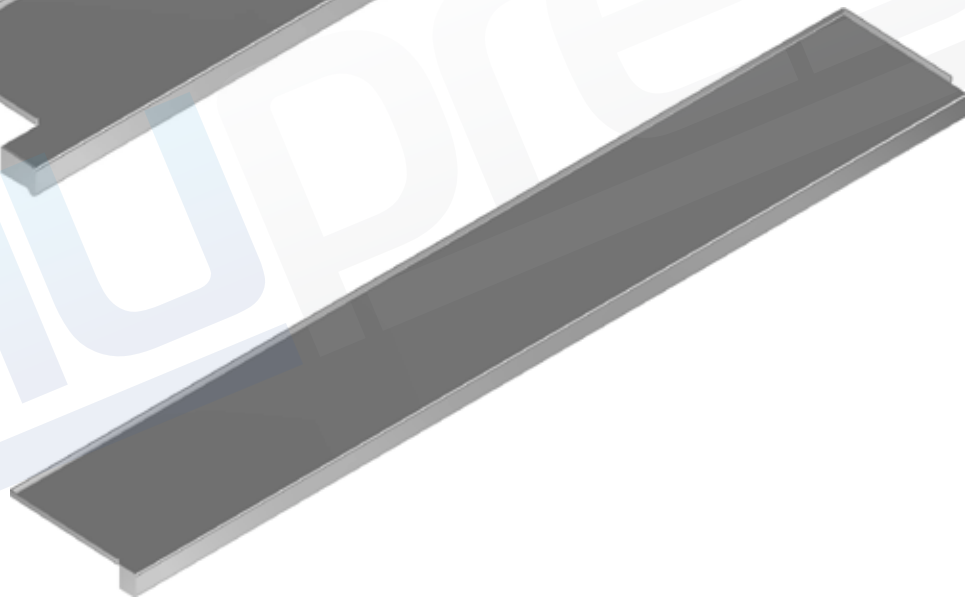
1. Measure and cut the aluminium fascia and soffit panels to the required length.
2. Prepare the substrate to ensure it is clean, dry, and free from debris.
3. Attach fascia boards to the roof edges using appropriate fasteners.
4. Install soffit panels, ensuring proper ventilation if using vented profiles.
5. Secure soffit panels to the fascia board and wall with screws or clips.
6. Seal all joints and edges with appropriate sealant to ensure a watertight installation.
7. Attach any required end caps, corner pieces, or joiners.

Maintenance Instructions

Clean with mild soapy water using a soft cloth
Avoid abrasive cleaners/tools that may harm surface
Inspect periodically for any signs of blockage, damage, or wear and clear debris as necessary.

This data sheet provides essential information about our aluminium fascia and soffit systems, ensuring you have all the details needed for your project. For further assistance, please contact our customer service team.

alupress
ALUMINIUM
WINDOW SILLS



WINDOW SILLS

DATA SHEET

Our window sills are durable, corrosion-resistant components designed to provide a protective and aesthetic finishing touch to window installations. Offering excellent weather resistance, structural support, attractive appearance, making them suitable for various residential, commercial, and industrial applications.

Key Features:

Material: High-grade aluminium

Finish Options: Powder Coated standard range of RAL Colours

Profiles: Available in flat, sloped, or custom profiles

Length Options: Customisable up to 4 meters

Thickness Options: 1.5mm to 3mm

Welded stop ends and upstands

Environmental Resistance: Corrosion-resistant, UV-stable, and weatherproof

Technical Specifications:

Material Composition: Aluminium alloy 1050A

Standard Lengths: Customisable lengths up to 4m

Profile Types

Sloped: Various widths with a standard 5-degree slope

Custom: Tailored to specific architectural requirements

Finish Types:

Powder-Coated: RAL colours available

Performance Characteristics

Durability: High resistance to corrosion, suitable for coastal and industrial environments

Maintenance: Low maintenance, easy to clean

Installation: Pre-drilled fixing holes available on request, easy to install with standard tools

Compatibility: Suitable for use with various window systems, including aluminium, Aluclad, UPVC and timber.

Applications

Residential buildings: Houses and apartments.

Commercial buildings: Offices, retail stores, and hospitality establishments

Industrial buildings: Warehouses, factories, and workshops

Public buildings: Schools, hospitals, and government facilities

Customisation Options

Dimensions: Custom widths, lengths, and profiles to match specific project requirements

Colours: Wide range of RAL colours to match building aesthetics

Accessories: Welded end caps and upstands, welded corner pieces.

Installation Guidelines:

1. Measure and cut the aluminium window sill to the required length.
2. Pre-drill fixing holes if not pre-drilled.
3. Apply a weather-resistant sealant to the back edge of the sill.
4. Position the sill under the window frame and secure it with screws through the pre-drilled holes.
5. Seal all joints and edges with appropriate sealant to ensure a watertight installation.

Maintenance Instructions

Clean with mild soapy water using a soft cloth

Avoid abrasive cleaners/tools that may harm surface

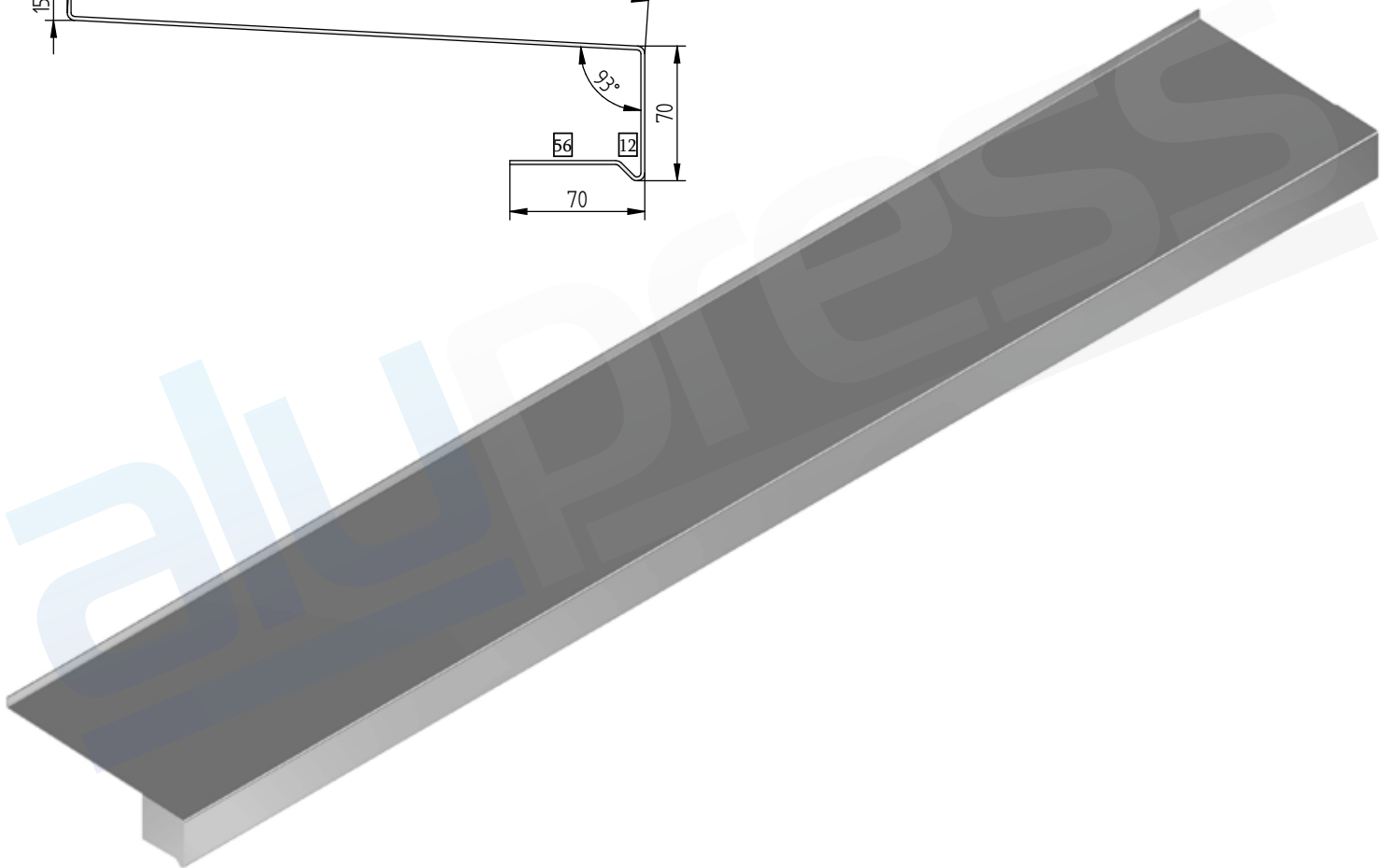
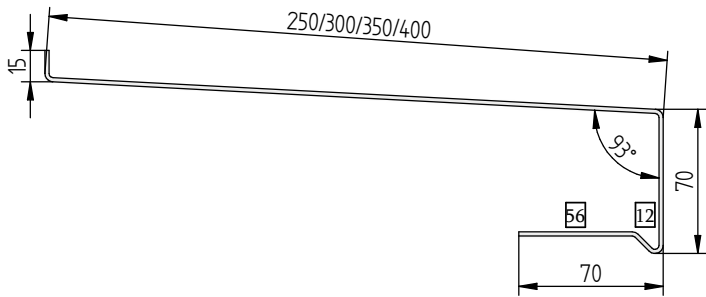
Inspect periodically for any signs of blockage, damage, or wear and clear debris as necessary.

This data sheet provides essential information about our aluminium window sills, ensuring you have all the details needed for your project. For further assistance or to place an order, please contact our customer service team.

alupress

ALUMINIUM

1mm PRE-COATED SILLS
WITH ALUMINIUM END CAPS



1mm PRE-COATED SILLS

DATA SHEET

Pre-coated Aluminium window sills are durable, corrosion-resistant components designed to provide a protective and aesthetic finishing touch to window installations. They offer excellent weather resistance, structural support, and an attractive appearance, making them suitable for various residential, commercial, and industrial applications.

Key Features:

Material: High-grade aluminium

Finish Options: Standard RAL 9010 White or RAL 9005 Black

Profiles: Available in flat, sloped, or custom profiles

Length Options: Standard 3m lengths

Widths: Standard 250mm, 300mm, 350mm, 400mm and 450mm wide

Thickness Options: 1mm

Environmental Resistance: Corrosion-resistant, UV-stable, and weatherproof

Technical Specifications:

Material Manufacturer: SPIERA AS Norway

Material Thickness: 1mm thick aluminium

Material Alloy: 1050A H14

Type of Coating: Tectura Coated PVDF to the requirements described in EN 1396 and EN 13523.

Warranty: 20 years. The warranty covers loss of coating adhesion, peeling, colour stability and flaking as well as corrosion attacks because of material defects. Normal weathering of the coating will occur during the service life, with a reduction in gloss and gradual uniform colour change.

Quality Assurance: All products are manufactured and tested to conform with EN 1396, EN13523 and other applicable EN norms, ASTM norms and ECCA guidelines.

Performance Characteristics

Durability: High resistance to corrosion, suitable for coastal and industrial environments

Maintenance: Low maintenance, easy to clean

Compatibility: Suitable for use with various window systems, including aluminium, Aluclad, UPVC and timber.

Applications

Residential buildings: Houses and apartments.

Commercial buildings: Offices, retail stores, and hospitality establishments

Industrial buildings: Warehouses, factories, and workshops

Public buildings: Schools, hospitals, and gov facilities

Customisation Options

Dimensions: Custom widths, lengths, and profiles to match specific project requirements

Accessories: loose Aluminium powder coated end caps

Maintenance Instructions

Clean with mild soapy water using a soft cloth

Avoid abrasive cleaners/tools that may harm surface

Inspect periodically for any signs of blockage, damage, or wear and clear debris as necessary.

This data sheet provides essential information about our aluminium window sills, ensuring you have all the details needed for your project. For further assistance or to place an order, please contact our customer service team

1mm PRE-COATED SILLS INSTALLATION GUIDE

When installing aluminium windowsills in conjunction with external wall insulation (EWI), there are additional considerations to ensure proper installation, weather resistance, and a secure fit. Here is a general guide, but it is crucial to follow the specific instructions provided by the EWI system and windowsill manufacturers.

Materials and Tools:

- Aluminium windowsill
- Screws suitable for exterior use
- Screwdriver or power drill
- Level
- Tape measure
- Sealant compatible with EWI
- Mastic gun
- Insulation adhesive (if required by the EWI system)
- External wall insulation system components

Installation Steps:

Prepare the Wall:

Ensure that the external wall surface is clean, dry, and free of any debris.

Follow the guidelines of the EWI system for surface preparation.

Install External Wall Insulation:

Follow the manufacturer's instructions for installing the EWI system.

Apply insulation adhesive and fix insulation boards securely to the external wall.

Measure and Cut the Aluminium Sill:

Measure the width of the window opening, considering the additional thickness of the external insulation.

Cut the aluminium windowsill to the correct length, if necessary.

Test Fit:

Place the aluminium sill on the wall to check the fit. Ensure it sits level and aligns with the window opening.

Attach the Sill to the Wall:

If the aluminium sill has pre-drilled holes, align them with the corresponding points on the wall.

Use screws suitable for exterior use to secure the sill to the wall.

Tighten the screws evenly to ensure a secure fit.

Check for Level:

Use a level to confirm that the sill is perfectly level.

Adjust as needed to achieve a level surface.

Seal Joints and Edges:

Apply sealant compatible with the EWI system to the joints between the sill and the wall.

Seal any gaps or edges to prevent water infiltration.

Integrate with EWI System:

Ensure that the aluminium sill is integrated into the EWI system properly.

Follow any specific instructions provided by the EWI system manufacturer for integrating components like profiles or trims.

Final Check and Adjustments:

Double-check that all screws are securely tightened.

Confirm that the windowsill is properly aligned and seated.

Clean Up:

Remove any excess sealant or debris.

Always follow the guidelines and recommendations provided by both the aluminium windowsill and EWI system manufacturers. Proper installation ensures the effectiveness of the insulation and the durability of the window sill in external wall insulation applications.