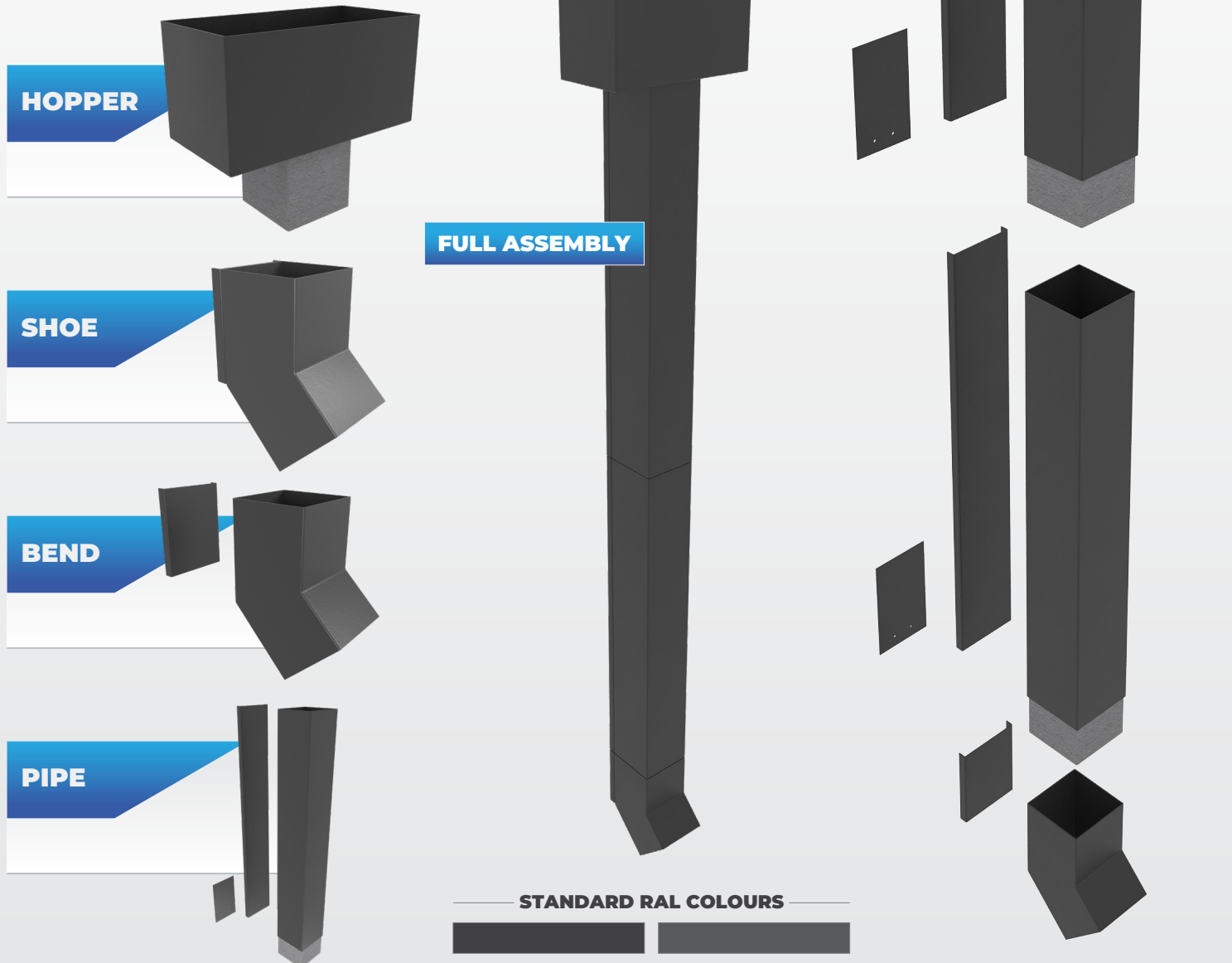


ANTI-VANDAL ALUMINIUM DOWNPIPES

Our anti-vandal aluminium downpipes are built for strength in demanding residential and commercial settings. Manufactured in-house, their rigid profile resists impact, tampering, and unauthorised removal. A clean, smooth architectural finish keeps façades looking sharp while handling daily wear. Supplied with secure fixing brackets and available in a wide range of RAL colours, they suit apartment blocks, schools, and public buildings. Low maintenance and corrosion resistant, they deliver long-lasting performance where durability really counts.

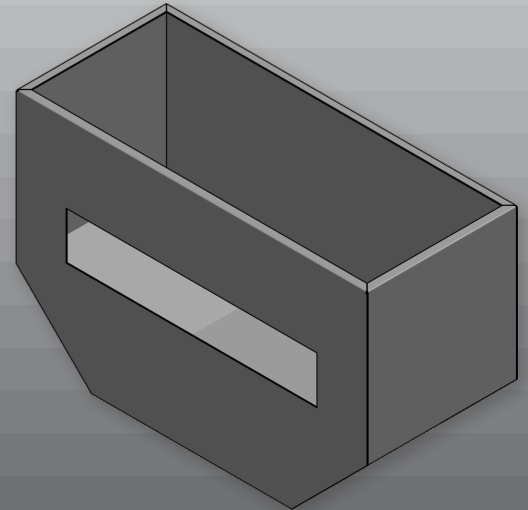
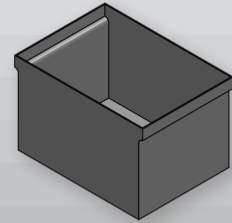
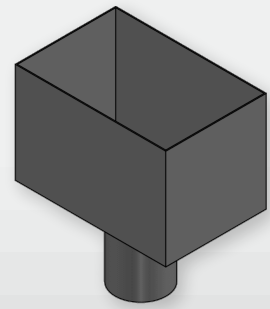


ALUMINIUM HOPPERS

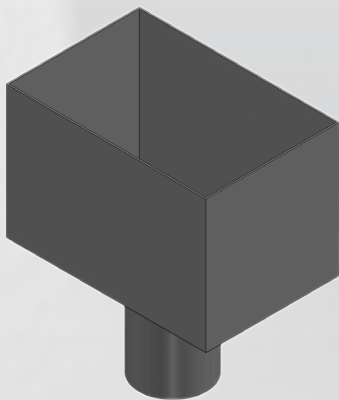
Aluminium hoppers manufactured in-house from durable, high-quality aluminium, designed for efficient rainwater collection and smooth transition into downpipes. Clean, modern profiles suit both residential and commercial projects. Available in square or rectangular formats, fully welded, and powder-coated to suit project requirements.



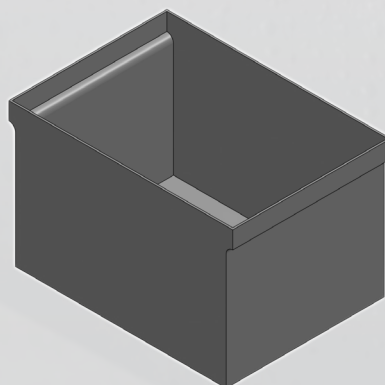
Close-up of a fully welded aluminium hopper, powder-coated in RAL 9004, designed for efficient rainwater capture and long-term durability.



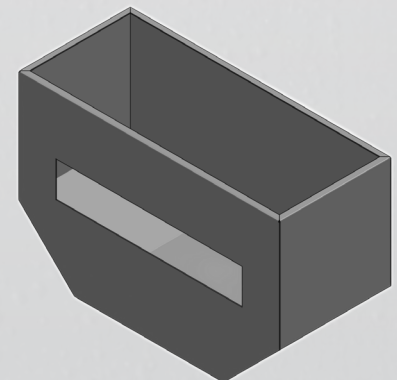
STANDARD RAL COLOURS



HOPPER 1



HOPPER 2



HOPPER 3

DOWNPIPES DATA SHEET

Aluminium downpipes are essential components of a building's rainwater management system. They efficiently channel rainwater from the roof to the ground or drainage system, protecting the structure from water damage. Our aluminium downpipes are designed for durability, aesthetic appeal, and easy maintenance, making them suitable for various residential, commercial, and industrial applications.

Key Features:

- Material:** High-grade extruded aluminium
- Finish Options:** Powder Coated in various colors
- Profiles:** Round, square, and rectangular profiles
- Lengths:** Customizable up to 4 meters
- Thickness Options:** 1.5mm to 3mm
- Environmental Resistance:** Corrosion-resistant, UV-stable, and weatherproof

Technical Specifications:

- Material Composition:** Aluminium alloy 6063/6061
- Standard Lengths:** 3m customizable lengths up to 4m
- Profile Types**
 - Round** - Diameters from 75mm to 200mm
 - Square** - Sizes from 75mm x 75mm to 150mmx150mm
 - Rectangular** - Custom sizes available on request
- Finish Types:** Plain mill finish
Powder-Coated: RAL colors available

Performance Characteristics

- Durability** - High resistance to corrosion.
- Maintenance** - Low maintenance, easy to clean
- Weather Resistance:** Excellent resistance to UV, rain, and temperature fluctuations
- Installation:** Easy to install with standard brackets and accessories
- Compatibility:** Suitable for use with various roofing systems and gutter types

Applications

- Residential buildings:** Houses, apartments.
- Commercial buildings:** Offices, retail stores, and hospitality establishments
- Industrial buildings:** Warehouses, factories etc
- Public buildings:** Schools, hospitals, and gov facilities
- Industrial buildings:** Warehouses, factories etc
- Public buildings:** Schools, hospitals, and gov facilities

Customisation Options

- Dimensions:** Custom widths, lengths, and profiles to match specific project
- Colours:** Wide range of RAL colours to match building aesthetics
- Accessories:** Welded corners, welded stop ends, welded upstands.

Installation Guidelines:

1. Measure and cut the aluminium downpipes to the required length.
2. Attach brackets to the wall at regular intervals (approximately 1 meter apart).
3. Secure the downpipes to the brackets, ensuring they are aligned and properly supported.
4. Connect the downpipes to the gutter system using appropriate connectors and seal joints with weatherproof sealant.
5. Attach any required bends, offsets, or end caps to ensure proper water flow and drainage.
6. Ensure the downpipes are directed to a suitable drainage system or water collection area.

Maintenance Instructions

- Clean with mild soap & water using soft cloth/sponge.
- Avoid abrasive cleaners/tools that scratch the surface.
- Inspect periodically for any signs of damage or wear and repair as necessary.

This data sheet provides essential information about our aluminium downpipes, ensuring you have all the details needed for your project. For further assistance or to place an order, please contact our customer service team.

